

H3 Swinghandle

Medium / large · Sealed / non-sealed

Features

- Zinc alloy swinghandle system
- Multiple locking options; including DIN profile
- Indoor / outdoor version
- Available for medium (125mm x 25mm) and large (150mm x 25mm) door cutout
- Sealed version meets NEMA 4 / IP66 water intrusion standards

Material

- Handle: Zinc alloy, black powder coated or satin chrome plated
- Cam: Steel, zinc plated

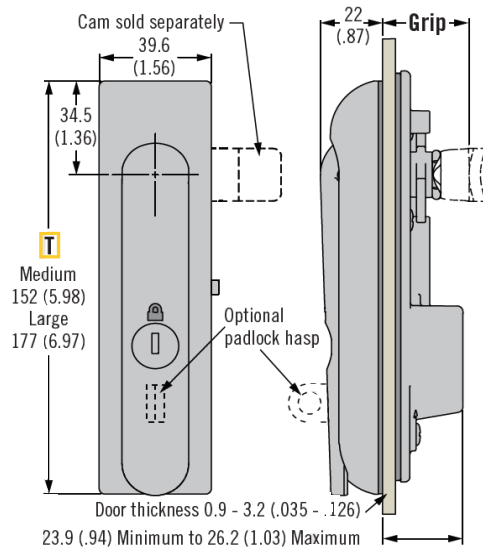
Product Performance

- Maximum static load: 250 N



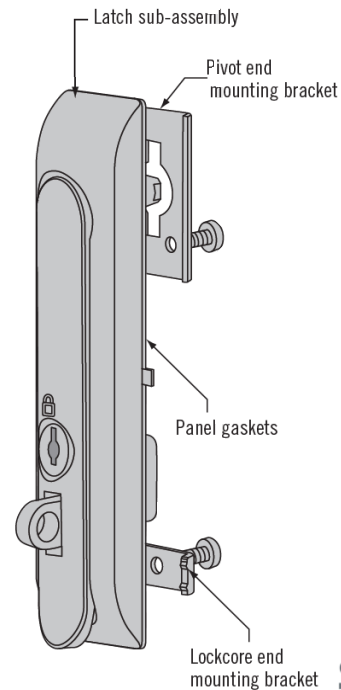
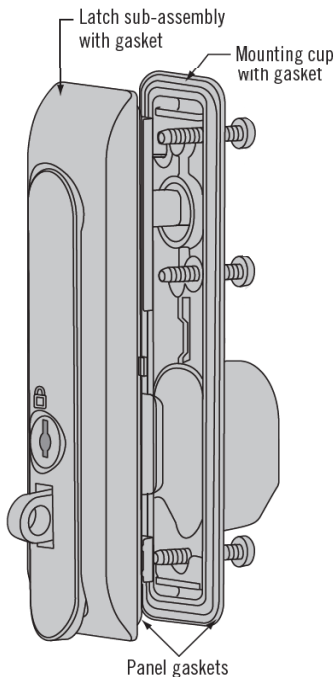
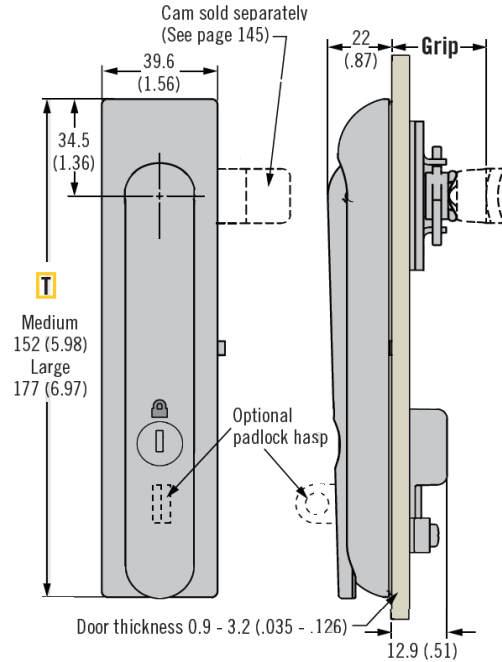
Sealed (H3-50 medium shown)

(H3-60 large available part number selection)

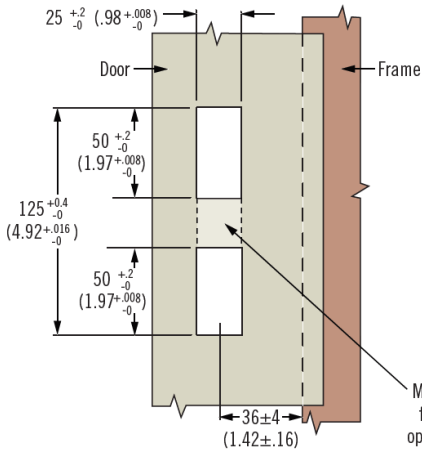


Non-Sealed (H3-60 large shown)

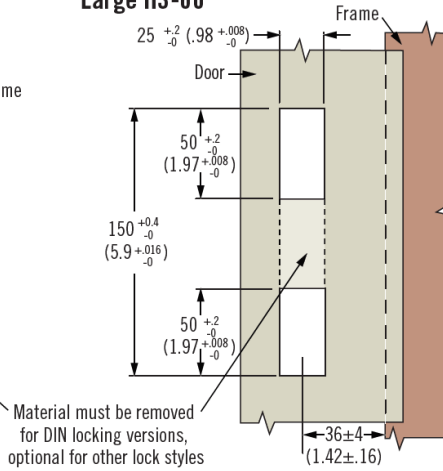
(H3-50 medium available part number selection)



Medium H3-50



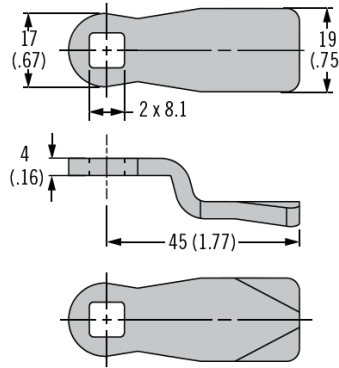
Large H3-60



Notes

- For single point:
 - Order latch and cam separately
- For multi-point:
 - Order latch and cam separately
 - Order multi-point system accessories (linear actuator or actuator plate, rod, rod guide)
 - If 3 point latching required, contact Gripwell
- Key removal in lock position only for sealed version

Cam Part Number Table For Use As Single Point Or With Actuator Plate (order separately from latch)			
Grip	Part Number	Grip	Part Number
10.3 (.41)	E5-6107	26.3 (1.04)	E5-6115
12.3 (.48)	E5-6108	28.3 (1.11)	E5-6116
14.3 (.56)	E5-6109	30.3 (1.19)	E5-6117
16.3 (.64)	E5-6110	32.3 (1.27)	E5-6118
18.3 (.72)	E5-6111	34.3 (1.35)	E5-6119
20.3 (.80)	E5-6112	36.3 (1.43)	E5-6120
22.3 (.88)	E5-6113	38.3 (1.51)	E5-6121
24.3 (.96)	E5-6114	40.3 (1.59)	E5-6122



Latch Part Number (no cam)

T Size

- 50 Medium - 152 (5.98) height
- 60 Large - 177 (6.97) height

A Actuator style

- 3 No padlock hasp for use as single point or with actuator plate
- 4 With padlock hasp for use as single point or with actuator plate

Contact Gripwell for
linear actuator version

S Sealing option

- 0 Non-sealed
- 1 Sealed

F Finish

- 44 Satin chrome
- 50 Black powder coated

L Lock style

- 00 Locking DIN profile (no lock supplied)
- 01 Locking keyed alike CH751*
- 02 Locking keyed alike 300*
- 03 Locking keyed alike 333*
- 04 Non-locking
- 05 Locking keyed alike HL450*
- 20 Non-locking with detent
- 21 Locking DIN profile keyed alike CH751*
- 22 Locking DIN profile keyed alike 300*
- 23 Locking DIN profile keyed alike 333*
- 24 DIN without Lock Plug
- 40 3 mm Double-bit
- 41 5 mm Double-bit
- 42 Bellcore 216
- 43 Bellcore Hex-Pin Recess
- 47 8 mm triangle
- 70 DIN profile 3 mm Double-bit
- 71 DIN profile 5 mm Double-bit
- 72 DIN profile Bellcore 216
- 73 DIN Profile Bellcore Hex-Pin Recess
- 77 DIN profile 8 mm triangle

*2 overmoulded keys supplied